

Power Saving LED Street Light

Mecha-Chemi-Tronics: Aristo combines mechanical, chemical and electronics technology to develop safe, reliable, and high-quality products.

Advantages of LEDs (Light Emitting Diodes)

ECO

LEDs are environmentally friendly and contain no mercury, lead, or other toxic substances

Energy Saving

LEDs use far less electricity than fluorescent and neon tubes.

Long Lasting

LEDs have a lifespan of 30,000 hours, greatly reducing maintenance costs.

*For white LEDs

Safety

LEDs offer superior safety as well, emitting little heat and reducing stress on the medium.

Features of Aristo's LED Modules

World's Most Efficient LED Chip

Aristo incorporate with world's most efficient LED chip at 140 lumen/watt.

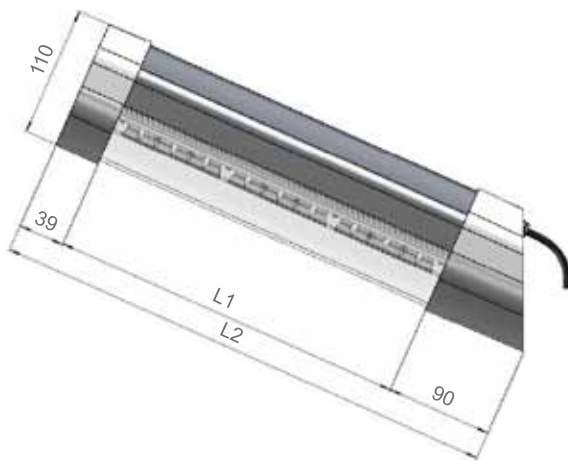
Low Power & Heat Emission

Product is designed by Aristo Engineering by taken into consideration of low power consumption and heat emission.



Street light equipped with Solar Panel (Sample)

Dimension Diagram



Models

Part Number	Power	LED Color	Brightness	L1	L2	Weight
ASL-WR7030	17W	Daylight	1,700 lm	302mm	431mm	3.3Kg
ASL-WR7050	29W	Daylight	2,800 lm	498mm	627mm	5.2Kg

*Timer or Sensor can be loaded inside Street Light (Optional).

*Power Supply Unit can be loaded inside Street Light (Optional).

Street Light Basic Specification

Input Voltage	DC12V
Expectancy LED Life Span	30,000 hrs
Color Temperature	5,000K
Body Casing	Aluminium Die-Cast & Anodized finishing
Globe	Polycarbonate Resin
LED Formation	Flat Type



*Please note that product specifications may change without prior notice.
*Due to printing, the color tone of the product may appear different to the actual product.

Contact Us

ARISTO

(HQ/R&D/
Sales&Marketing)

Uses Nichia Corp. LED elements



ARISTO ENGINEERING PTE LTD
Blk 115A Commonwealth Drive
#01-17/20 Tanglin Halt Industrial Estate
Singapore 149596
URL <http://www.aristo.com.sg>
E-mail enquiries@aristo.com.sg